

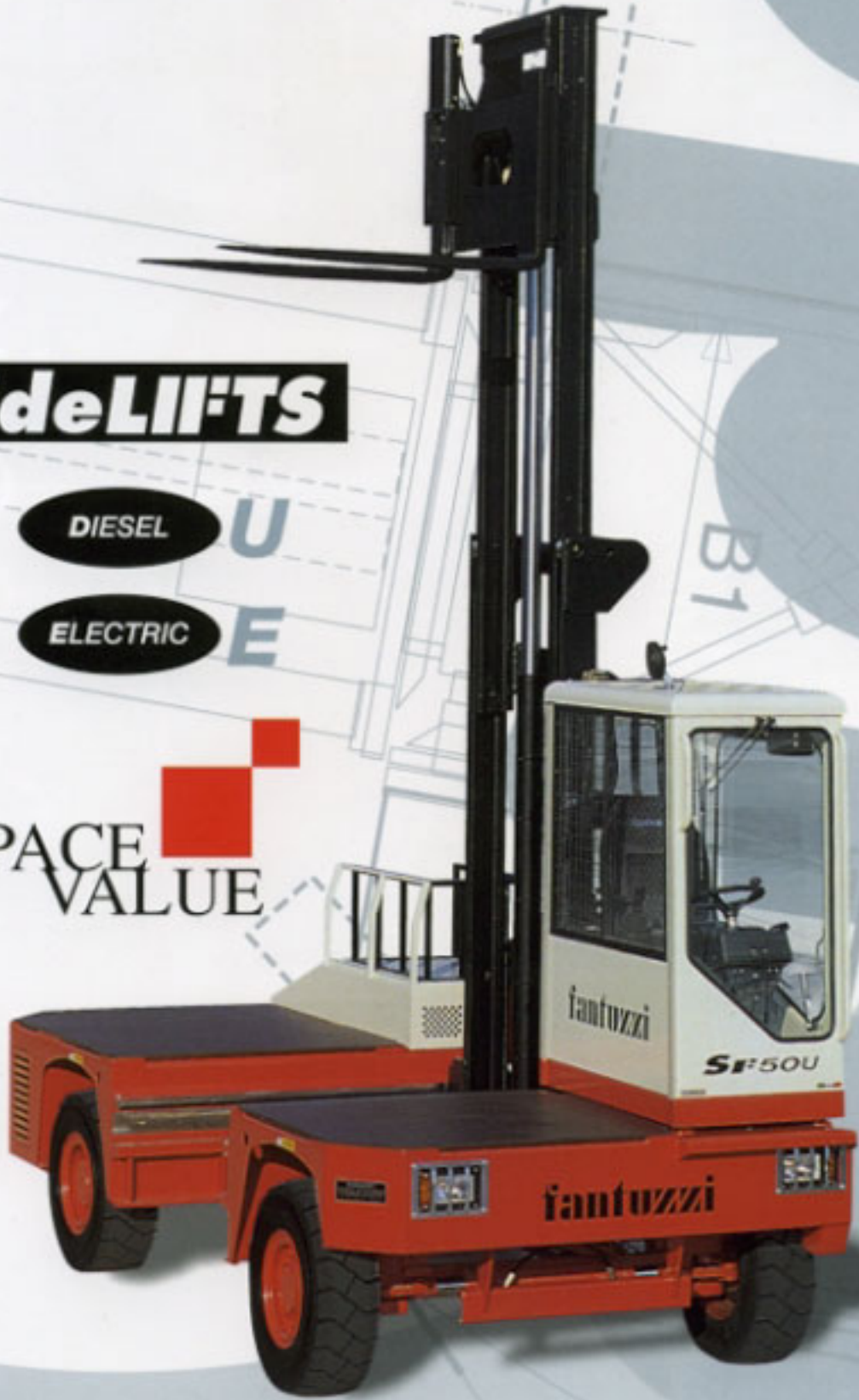
fantuzzi

SideLIFTS

DIESEL U

ELECTRIC E

SPACE
VALUE



SPACE
VALUE

the Superiority



SideLIFTs

DIESEL-U



Traditional timber applications are the basic heart of FANTUZZI designs. And more: steel concrete handling, cars, pipes, plastics, aluminium, any long loads, the maximum versatility.



FANTUZZI SIDELIFTS, the science of space, the art of value, always the right solution. They are the result of more than thirty years of experience, of constant interaction with our customers.



The FANTUZZI designs can be easily adapted for any handling requirement. A full range for any job. Fantuzzi build in over 50% extra stability reserves which means we stack more product higher, more quickly and more safely than any other maker of Sidelifts. More value for your space, and for your business.



Diesel

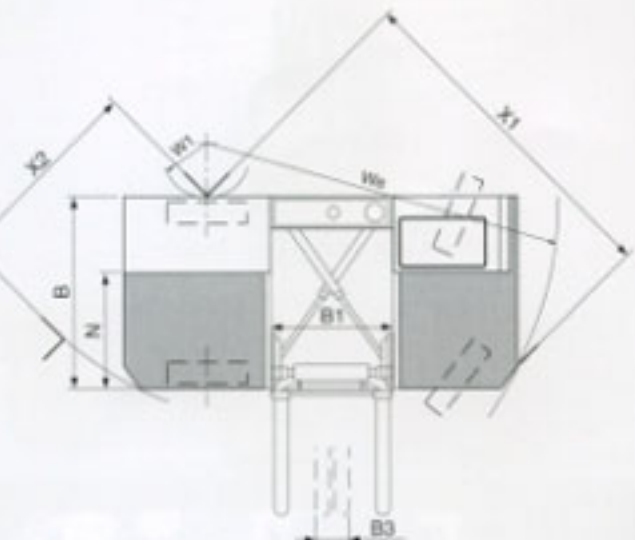
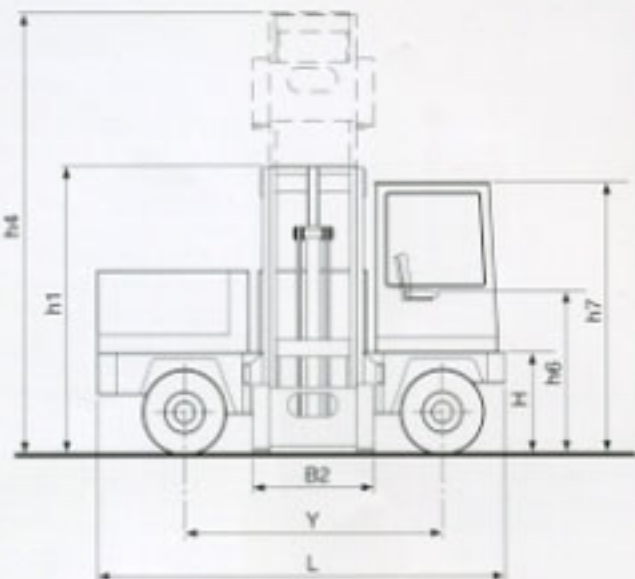
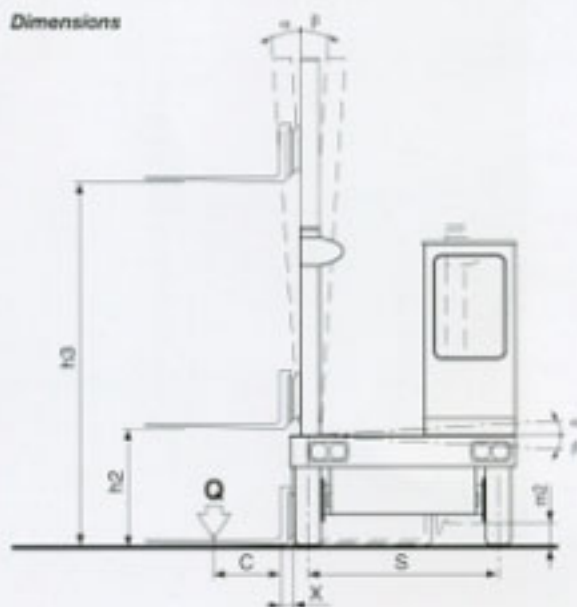
Strength, reliability and productivity, our sole goal. Every possible timber industry application finds the right solution in this range, the real reason of our success. Thanks to our proven track record, FANTUZZI SIDELIFTS retain the very highest resale value even after 15 years of hard work.



The wind of innovation

fantuzzi

Dimensions



1	Manufacturer		
2	Model		TYPE
3	Capacity	Q	Nominal Capacity Kg.
4	Load centre	C	Distance mm.
5	Motive power		Electric, Diesel, Petrol, Gas
6	Driver Position		Manual, Standing, Seated
7	Tyres		V=solid, L=pneum
8	Wheels (x = driven)		Number F/R
9	Lift	h3	Height mm.
10	with two	h2	Standard Free lift mm.
11	stage mast	h5	Special Free Lift mm.
12	Fork carriage		To FEM Standards
13			Thickness x width x length mm.
13a	Forks	B2	Max distance External mm.
13b		B3	Mn distance External mm.
14	Tilt		Forward/Reverse a/b
15		L	Length mm.
16		B	Width mm.
17		h1	Closed mast height mm.
18		h4	Open mast height mm.
19	Maximum dimensions	h6	Seat height mm.
20		h7	Cabin height mm.
20a		H	Platform (Deck) Height mm.
20b		N	Platform (Deck) Width mm.
20c		B1	Well Width mm.
21	Turning radius	W/Ws	Internal/External mm.
22	Fork face stand-Out	x	mm.
23	Aisle	x1	mm.
23a		x2	mm.
24			Travel with / without load Km/h
25	Speeds		Lift with / without load m/s
26			Lowering with / without load m/s
26a			Traverse with / without load m/s
27	Drawbar pull		With / without load KN
28	Max Drawbar pull		Loaded KN
29	Gradient		With / without load %
30	Max Gradient		Loaded %
31			
32	Weight		Without load Kg
33	Axle loads		With load F / R Kg
34			Without load F / R Kg
35			Number F / R
36			Size Front
37	Tyres		Size Rear
37a			Inflation pressure bar
37b			Ground pressure Kg/cm ²
38	Wheel base	y	Wheel centre F / R mm.
39	Track	S	Wheel Centre / Centre mm.
40	Ground clearance	m1	With Load Lowest Point mm.
41		m2	mm.
42	Service Brakes	F/R	Pedal Activated Servo-assisted Hydraulic
43	Parking brakes	Rear	Mechanical
45	Batteries		Voltage / Capacity V/Ah
48			Manufacturer / Type
50			Power (ISO 3048) kW/CV
51			Revolutions per minute
52	Engine		Number of Cylinders / Capacity cm ³
53			Fuel Consumption (Specific) g/kWh
53a			Fuel Consumption (AVE) lh
54	Transmission Gears		Model
55	Transmission		
56	Clutch		
57	Working pressure		bar
58	Noise Level		BITA RP 20 dB (A)
59	Stability Factor		Static

Due to a continuous improvement policy the Company reserves the right to change technical specifications without prior notice.

T H E T E C H N I C A L

SideLIFTS

FANTUZZI

SF 30U	SF 40U	SF 50U	SF 60U	SF 80	SF 100	SF 120	SF 150
3000	4000	5000	6000	8000	10000	12000	15000
600	600	600	600	700	700	700	700
Diesel	Diesel	Diesel	Diesel	Diesel	Diesel	Diesel	Diesel
Seated	Seated	Seated	Seated	Seated	Seated	Seated	Seated
L/L	L/L	L/L	L/L	L/L	L/L	L/L	L/L
2/2	2/2	2/2	2/2	2/2	2/2	2/2	2/2
4000	4000	4000	4000	4000	4000	4000	4500
800	800	1000	1000	1300	1300	1500	1500
-	-	-	-	-	-	-	-
3A	3A	4A	4A	4A	4A	4A	4A
45 x 130 x 1200	50 x 150 x 1200	50 x 200 x 1200	50 x 200 x 1200	65 x 200 x 1400	70 x 220 x 1400	80 x 220 x 1400	80 x 240 x 1400
1200	1200	1200	1200	1400	1600	1600	1600
400	400	400	400	400	500	500	500
4'14"	4'14"	4'14"	4'14"	4'14"	4'14"	4'14"	4'14"
4200	4200	4450	4450	4800	5500	6000	6000
2000	2000	2000	2000	2300	2500	2500	2500
3050	3150	3150	3210	3450	3600	3600	3600
5050	5150	5150	5210	5450	5600	5600	5600
1450	1450	1650	1650	1800	1800	2000	2000
2550	2550	2750	2750	3000	3000	3150	3150
800	800	1000	1000	1250	1300	1450	1450
1200	1200	1200	1200	1400	1400	1500	1500
1370	1370	1300	1300	1500	1500	1700	1700
1300/4200	1300/4200	1500/4400	1500/4400	1700/4650	2000/5200	2200/5800	2200/5800
100	100	100	100	120	120	150	150
4000	4000	3500	3500	4500	4500	5000	5000
2200	2200	2200	2200	2500	2400	3450	3450
22/24	22/24	26/28	26/28	26/28	26/28	25/28	25/28
0,25/0,30	0,25/0,30	0,30/0,35	0,30/0,35	0,30/0,35	0,30/0,35	0,30/0,35	0,30/0,35
0,35/0,30	0,35/0,30	0,35/0,30	0,35/0,30	0,35/0,30	0,35/0,30	0,35/0,30	0,35/0,30
0,30	0,30	0,30	0,30	0,30	0,30	0,30	0,30
-	-	-	-	-	-	-	-
2200	2200	3000	3000	4200	4200	11000	11000
-	-	-	-	-	-	-	-
20	20	22	22	24	20	25	25
-	-	-	-	-	-	-	-
5800	6000	7800	8200	12000	14500	18800	21000
4200/4600	4800/5200	5900/6900	6600/7600	9500/10500	11750/12750	14400/15400	17500/18500
2700/3100	2800/3200	3400/4400	3600/4600	5500/6500	6750/7750	8900/9900	10000/11000
2/2	2/2	2/2	2/2	2/2	2/2	2/2	2/2
27.10 - 12	27.10 - 12	8.25 - 15	300 - 15	12.00 - 20	12.00 - 24	14.00 - 24	14.00 - 24
27.10 - 12	27.10 - 12	8.25 - 15	300 - 15	12.00 - 20	12.00 - 24	14.00 - 24	14.00 - 24
10	10	10	10	10	10	10	10
8	8	8	8	8	8	8	8
2450	2450	2600	2600	3100	3500	3700	3700
1650	1650	1700	1700	1960	2160	2100	2100
200	200	250	250	250	250	350	350
-	-	-	-	-	-	-	-
-Drum	-Drum	Dry disc/Wet disc	Dry disc/Wet disc	Dry disc/Wet disc	Dry disc/Wet disc	Dry disc/Wet disc	Dry disc/Wet disc
Wet Disc	Wet Disc	Wet Disc	Wet Disc	Wet Disc	Wet Disc	Dry disc	Dry disc
12/120	12/120	12/150	12/150	12/150	24/150	24/150	24/150
PERKINS 804C - 33	PERKINS 804C - 33	PERKINS 1104C-E44	PERKINS 1104C-E44	PERKINS 1104C-E44T	PERKINS 1106C-E60TA	PERKINS 1106C-E60TA	PERKINS 1106C-E60TA
47/64	47/64	64/87	64/87	86/117	81/130 - 108/175	81/130 - 108/175	81/130 - 108/175
2500	3000	2500	2500	2500	2400	2500	2500
4/3300	4/3300	4/4400	4/4400	4/4400	6/6000	6/6000	6/6000
235	235	235	235	235	235	235	235
7	7	7	7	7	7	10	10
REX - ROTH	REX - ROTH	REX-ROTH	REX-ROTH	REX-ROTH	REX-ROTH	DANA - CLARK	DANA - CLARK
Hydrostatic	Hydrostatic	Hydrostatic	Hydrostatic	Hydrostatic	Hydrostatic	Hydrodynamic	Hydrodynamic
Automatic	Automatic	Automatic	Automatic	Automatic	Automatic	3/3	3/3
160	160	160	160	170	170	160	160
78/85	78/85	78/85	78/85	78/85	78/85	78/85	78/85
1,50	1,50	1,50	1,50	1,5	1,5	1,45	1,45

S P E C I F I C A T I O N S

SF30U SF40U SF50U SF60U SF80 SF100 SF120 SF150 DIESEL

THE TECHNICAL SPECIFICATIONS

The FANTUZZI SIDELIFT is the ideal machine for handling long loads such as timber packs, pipes, steel plate or similar items in lengthwise direction. The load is picked up literally and transported on the platform.

Thus it needs up to 40% less operating space which can be used as storing area.

CHASSIS

Strong, welded construction ensures an excellent stability during all loading.

ENGINES

All engines give good fuel economy, efficient combustion and low emissions during intensive use. LPG engines also available for their environmental and operating characteristics. Electric sideloaders are powered by an efficient 80V system.

TRANSMISSIONS

Hydrostatic transmission up to 10 Tons capacity. Torque converter for higher capacities.

MAST ASSEMBLIES

As a standard FANTUZZI SIDELIFTS are equipped with duplex mast with free lift above the platform height. Full-free-lifts or triplex configuration are also available.

CABIN

The cabin is designed according to the last ultimate ergonomical standards and provides optimal working conditions.

Overall (closed) heights of different masts (values in mm)

		MODEL					
		SF 30U SF 40U SF 30E SF 40E	SF 50U SF 50E	SF 60U SF 60E	SF 80	SF 100 S 120 S 150	
LIFTING HEIGHTS	MAST DUPLIX	4000	3050	3150	3210	3450	3650
		4500	3300	3400	3460	3700	3900
		5000	3550	3650	3710	3950	4150
		5500	3800	3900	3960	4200	4400
		6000	4050	4150	4210	4450	4650
	MAST TRIPLEX	4000	2380	2550	2550	2740	---
		5000	2710	2880	2880	3075	---
		6000	3050	3210	3210	3410	---

SPACE
VALUE

Capacity at different lift heights (Kg)

		LIFTING HEIGHTS				
		4000	4500	5000	5500	6000
MODEL	SF 30U SF 30E	3000	3000	2500	2000	1500
	SF 40U SF 40E	4000	4000	3500	3000	2500
	SF 50U SF 50E	5000	5000	4500	4000	3500
	SF 60U SF 60E	6000	6000	5500	5000	4500
	SF 80	8000	8000	7500	7000	6500
	SF 100	10000	10000	9500	9000	8000
	S 120	12000	12000	11500	11000	10000
	S 150	15000	15000	14000	13500	12500



The wind of innovation

SF-U

diesel



FANTUZZI SIDELIFTS meet and exceed all appropriate international standards for safety and design, and so provide exceptional productivity, reliability and performance. Ultra-tough structure and oversized extrastrong mast. Quality materials giving quality results, highest stability, for faster and safer handling. FANTUZZI, a maker of Quality, the right solutions, always.



The wind of innovation

SF-U



The FANTUZZI SF-E range is the most advanced electric SIDE LIFT version in the market. The FANTUZZI renowned designs meet the environment friendly drive. Electric versions up to 6 ton capacity.



FANTUZZI Electric range features the latest generation energy-saving electronic control system and the high-output extra hours lasting top quality battery pack.



SideLIFTS

ELECTRIC-E

Electric

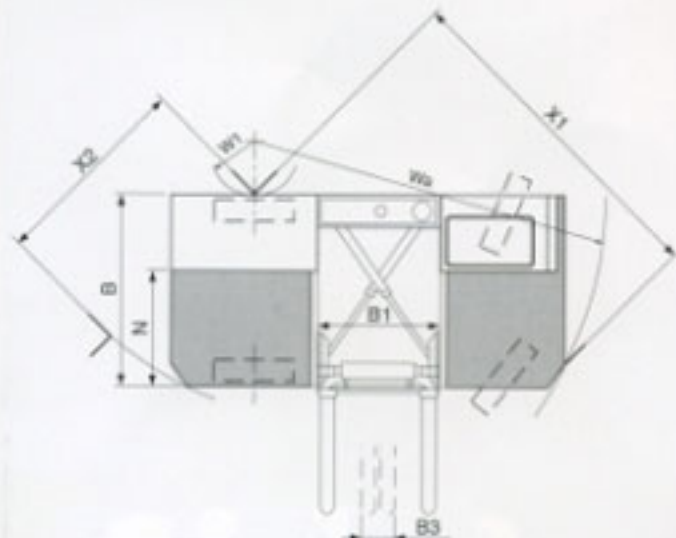
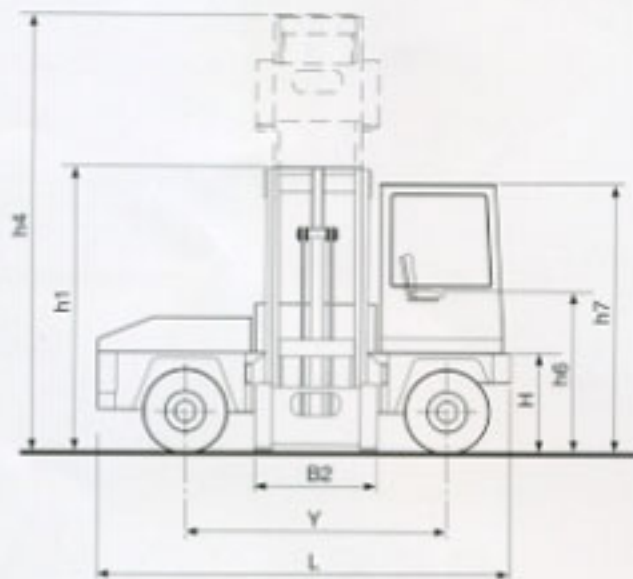
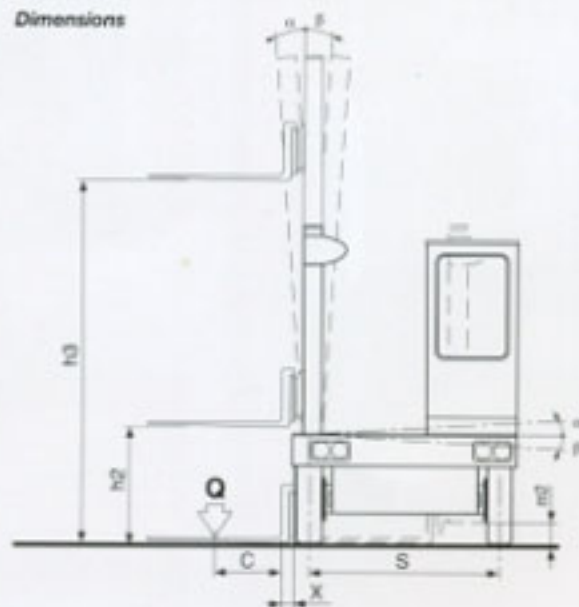
SF-40 E



The wind of innovation

fantuzzi

Dimensions



1	Manufacturer		
2	Model	MODEL	
3	Capacity	Q	Nominal Capacity Kg
4	Load centre	C	Distance mm
5	Motive power		Electric, Diesel, Petrol, Gas
6	Driver Position		Manual, Standing, Seated
7	Tyres		V = Solid - L = Pneum F/R
8	Wheels (x = driven)		Number F/R
9	Lift	h3	Height mm
10	with two	h2	Standard Free Lift mm
11	Stage Mast	h5	Special Free Lift mm
12	Fork Carriage		To FEM Standards
13			Thickness, Width, Length mm
13a	Forks	B2	Max. Distance External mm
13b		B3	Min. Distance External mm
14	Tilt		Forward/Reverse 0/5
15		L	Length mm
16		B	Width mm
17		h1	Closed Mast Height mm
18		h4	Open Mast Height mm
19	Maximum dimensions	h6	Height Seat mm
20		h7	Height Cabin mm
20a		H	Platform (Deck) Height mm
20b		N	Platform (Deck) Width mm
20c		B1	Well Width mm
21	Turning radius	Wu/Ws	Internal/External mm
22	Fork Face Stand-Out	x	mm
23	Axle	x1	mm
23a		x2	mm
24			Travel With / Without Load Km/h
25	Speeds		Lift With / Without Load m/s
26			Lowering With / Without Load m/s
26a			Traverse With / Without Load m/s
27	Drawbar pull		With / Without Load kN
28	Max Drawbar pull		Loaded kN
29	Gradient		With / Without Load %
30	Max Gradient		Loaded %
31	Acceleration		Loaded m/s
32	Weight		Without Load Kg
33	Axle loads		With Load F/R Kg
34			Without Load F/R Kg
35			Number F/R
36			Size Front
37	Tyres		Size Rear
37a			Inflation Pressure bar
37b			Ground Pressure Kg/cm
38	Wheel base	y	Wheel Centre F/R mm
39	Track	s	Wheel Centre / Centre mm
40	Ground clearance	m1	With Load Lowest point mm
41		m2	With Load Mid Track mm
42	Service Brakes	Rear	Pedal/Servo-hydraulic
43	Parking brakes		Mechanical
45	Batteries		Voltage/Capacity V/Ah
49			Drive engine kW
50			Hydraulic pump engine kW
51			Steering pump engine kW
52	Engines		
53			
53a			
54	Electronic Control System		
55	-		
56	-		
57	Working Pressure		bar
58	Noise Level		BITA RP 20 dB (A)
59	Stability Factor		Static

Due to technical developments of products the Company reserves the right to change published specifications without prior notice.

T H E T E C H N I C A L

SF30E SF40E SF50E SF60E

THE TECHNICAL SPECIFICATIONS

The FANTUZZI SIDELIFT is the ideal machine for handling long loads such as timber packs, pipes, steel plate or similar items in lengthwise direction. The load is picked up laterally and transported on the platform. Thus it needs up to 40% less operating space which can be used as storing area.

CHASSIS

Strong, welded construction ensures an excellent stability during all loading.

ENGINES

Electric sideloaders are powered by an efficient 80V system.

MAST ASSEMBLIES

As a standard FANTUZZI SIDELIFTS are equipped with duplex mast with free lift above the platform height. Full-free-lifts or triplex configuration are also available.

CABIN

The cabin is designed according to the last ultimate ergonomic standards and provides optimal working conditions.

SPACE
VALUE



FANTUZZI			
SF 30E	SF 40E	SF 50E	SF 60E
3000	4000	5000	6000
600	600	600	600
Electric	Electric	Electric	Electric
Seated	Seated	Seated	Seated
L/L	L/L	L/L	L/L
2/2	2/2	2/2	2/2
4000	4000	4000	4000
800	800	1000	1000
-	-	-	-
3A	3A	4A	4A
45 x 130 x 1200	50 x 150 x 1200	50 x 200 x 1200	60 x 200 x 1200
1200	1200	1200	1200
400	400	400	400
4'14"	4'14"	4'14"	4'14"
4000	4000	4500	4500
2000	2000	2000	2000
3050	3150	3150	3210
5050	5150	5150	5210
1450	1450	1650	1650
2550	2550	2750	2750
800	800	980	980
1200	1200	1200	1200
1300	1300	1300	1300
1300/4200	1300/4200	1500/4400	1500/4400
100	100	100	100
-	-	-	-
-	-	-	-
15/18	15/18	18/20	18/20
0,20/0,25	0,20/0,25	0,20/0,25	0,20/0,25
0,30/0,25	0,30/0,25	0,30/0,25	0,30/0,25
0,25	0,20	0,25	0,25
-	-	-	-
2200	2200	3000	3000
-	-	-	-
25	22	20	20
-	-	-	-
7000	7300	9500	10000
4500/5500	5150/6150	6750/7750	7500/8500
3000/4000	3150/4150	4250/5250	4400/5500
2/2	2/2	2/2	2/2
27.10 - 12	27.10 - 12	300 - 15	300 - 15
27.10 - 12	27.10 - 12	300 - 15	300 - 15
9	9	9	9
8	8	8	8
2450	2450	2600	2600
1700	1700	1680	1680
200	200	250	250
-	-	-	-
-Drum	-Drum	Dry Disc/Drum	Dry Disc/Drum
Drum	Drum	Drum	Drum
80/800	80/800	80/1050	80/1050
17	17	30	30
17	17	18	30
2	2	2	2
-	-	-	-
-	-	-	-
ZAPI			
-	-	-	-
130	130	130	130
50	50	50	50
1,5	1,5	1,5	1,5

SPECIFICATIONS

The wind of innovation

SF-E



Excellent all-round visibility



Ergonomic cabin environment



Top quality hydraulic components

THE MANOEUVRABILITY

- FANTUZZI steering giving 75° Lock, making it the most manoeuvrable machine available.
- Servo hydraulic steering
- Tighter turning circles saving space
- Cutted chassi corners reducing turning radius
- Ackermann steering geometry reducing tyrewear.



Wheel mounted drive hydromotors



Under platform machine housing



Comfortable access for operators and service engineers



Hydraulic oil cooling system



Oil cooled wet disc brakes

THE COMFORT

- Excellent all round visibility
- Adjustable seat with armrest
- Controls by finger tip operation
- Automotive pedal layout
- Full dashboard and instrumentation with selftest
- Antiglare glass
- Full operator safety protection



Dry disc brakes on steering wheels

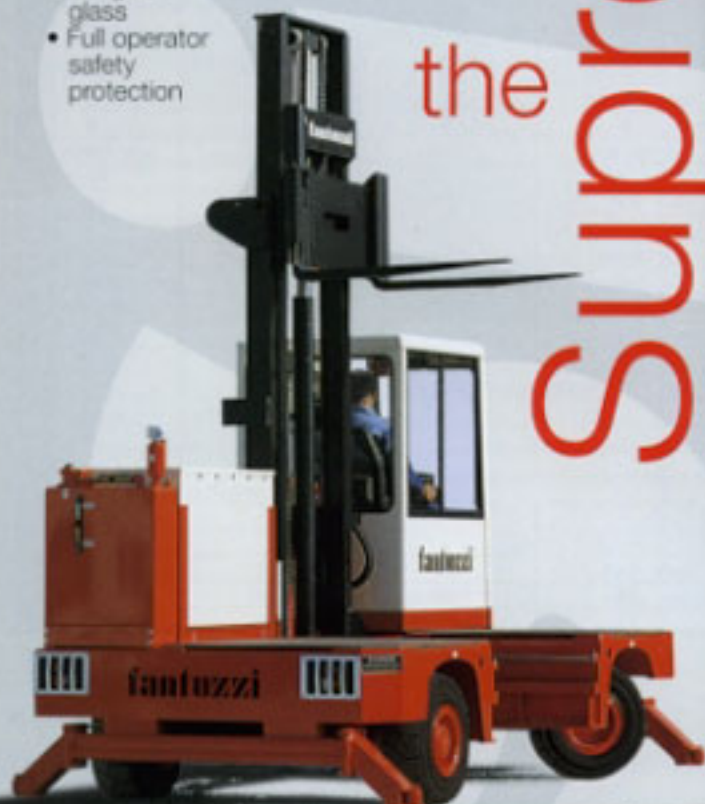


Tilt cylinders on operator's side



Single "double acting" steer cylinder

the Supremacy



TECHNICAL HIGHLIGHTS The wind of innovation

QUICKY

The Special Applications

FANTUZZI SIDELIFTS offers a formidable palette of responses to our clients requirements. Thousands of special applications have been developed in more than thirty years of experience, to satisfy any handling needs in any working environment.

FANTUZZI SIDELIFTS can be adapted and customised because they are always built with the user in mind, we will find always the right solution.

An amazing range of mast applications and platform sizes, fixed or telescopic frames, spreaders for container handling, special customised hooks, in this machines versatility and flexibility are at their best. See for yourself what a FANTUZZI SIDELIFT can do for your space, your value, your business.

SPACE
VALUE



SPACE
VALUE

SideLIFTS



FANTUZZI
REGGIANE



PHOTO: JACOPO - GAZDAROV



fantuzzi SideLIFTs

FANTUZZI REGGIANE S.p.a.
Via Cisa Ligure, 51/A
42040 Lentigione (RE) Italy
Tel. +39 0522 967444
Fax +39 0522 660426
Telex 530254 FANT I
www.fantuzzi.com
e-mail: fmain@fantuzzi.com



SPACE
VALUE



THE
DREAM
TEAM



The wind of innovation

The widest range of Port Equipment & Systems in the world